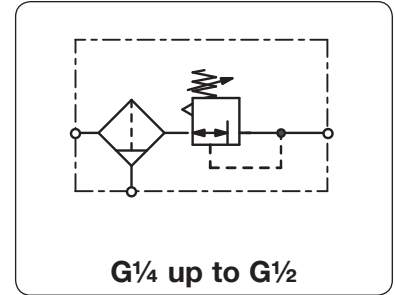


<b>Description</b>	Filter pressure regulator with high flow and of small design.		
<b>Media</b>	compressed air or non-corrosive gases		
<b>Supply pressure</b>	max. 17 bar for metal bowl with sight glass, max. 21 bar for metal bowl without sight glass		
<b>Adjustment</b>	by plastic knob with snap-lock at B11, by T-handle with locknut at B12		
<b>Relieving function</b>	relieving	<b>Gauge port</b>	G $\frac{1}{4}$ on both sides of the body, screw plugs supplied
<b>Filter element</b>	40 $\mu$ m, optionally 5 $\mu$ m, made of polypropylene		
<b>Bowl</b>	metal version with sight glass, optionally without		
<b>Drain</b>	manual drain as standard, for max. 21 bar, semiautomatic or automatic drain as option, for max. 12 bar		
<b>Temperature range</b>	0 °C to 70 °C / 32 °F to 158 °F for metal bowl with sight glass 0 °C to 80 °C / 32 °F to 176 °F for metal bowl without sight glass 0 °C to 50 °C / 32 °F to 122 °F for semiautomatic or automatic drain for appropriately conditioned compressed air down to -30 °C / -22 °F at B12		
<b>Material</b>	Body: zinc die-cast	Bowl: zinc die-cast	
	Inner valve: brass, optionally stainless steel	Elastomer: NBR/Buna-N, optionally FKM	
	Spring cage: glass fibre-reinforced plastic at B11, zinc die-cast at B12		



Dimensions			Bowl	Flow	Supply	Connection	Pressure	Order
A	B	C	Design	Capacity	rate	max.	range	number
mm	mm	mm	made of/with	l	m $^3$ /h*1	l/min*1	bar	

"Midi" filter regulator									manual drain, relieving, max. 17 bar without pressure gauge, 40 $\mu$ m filter element	B11
60	210	120	metal / sight glass	0.12	120	2 000	17	G $\frac{1}{4}$	0.2 ... 1.8	<b>B11-02WJA</b>
									0.2 ... 4.0	<b>B11-02WJB</b>
									0.3 ... 9.0	<b>B11-02WJC</b>
									0.5 ... 17	<b>B11-02WJD</b>
60	210	120	metal / sight glass	0.12	132	2 200	17	G $\frac{3}{8}$	0.2 ... 1.8	<b>B11-03WJA</b>
									0.2 ... 4.0	<b>B11-03WJB</b>
									0.3 ... 9.0	<b>B11-03WJC</b>
									0.5 ... 17	<b>B11-03WJD</b>
60	210	120	metal / sight glass	0.12	138	2 300	17	G $\frac{1}{2}$	0.2 ... 1.8	<b>B11-04WJA</b>
									0.2 ... 4.0	<b>B11-04WJB</b>
									0.3 ... 9.0	<b>B11-04WJC</b>
									0.5 ... 17	<b>B11-04WJD</b>

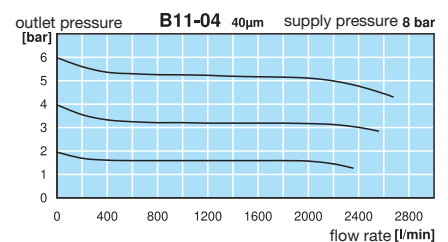
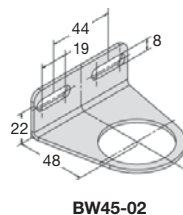
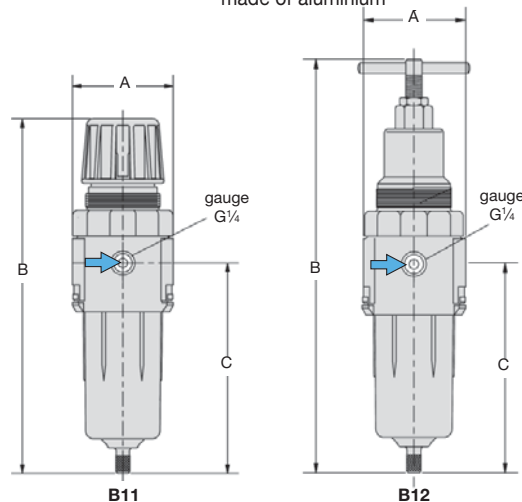


**Special options, add the appropriate letter**

<b>T-handle</b>	locknut included, height = 215 mm	B12-0 . . . .
<b>5 <math>\mu</math>m filter element</b>		B11-0 . . . G.
<b>bowl w/o sight glass</b>	max. 21 bar, 0 °C to 80 °C / 32 °F to 176 °F for appropriately conditioned compressed air down to -30 °C / -22 °F	B12-0 . D . .
<b>NPT</b>	connection thread	B11-0 . . . . N
<b>non-relieving</b>	without relieving function	B11-0 . . . . K
<b>semiautomatic drain</b>	RK500SY, max. 12 bar	B11-0 . . . . M
<b>automatic drain</b>	SA605MD, max. 12 bar	B11-0 . . . . R
<b>FKM elastomer</b>	inner parts made of brass	B11-0 . . . . X64

## Accessories

<b>pressure gauge</b>	Ø 50 mm, 0 ... *2 bar, G $\frac{1}{4}$	<b>MA5002- . . *2</b>
<b>mounting bracket</b>	made of steel	<b>BW45-02</b>
<b>mounting nut</b>	made of plastic	<b>M45x1,5K</b>
	made of aluminium	<b>M45x1,5A</b>



\*1 at 8 bar supply pressure, 6 bar outlet pressure and 1 bar pressure drop  
\*2 02 = 0...2.5 bar, 04 = 0...4 bar, 10 = 0...10 bar, 25 = 0...25 bar

**Extensions:** see chapter for FRL service units  
**Gauges:** see chapter for measuring devices  
**Spare parts:** see separate spare parts list

**PDF CAD**  
www.aircom.net

**Order example:**  
**B11-02WJA**